



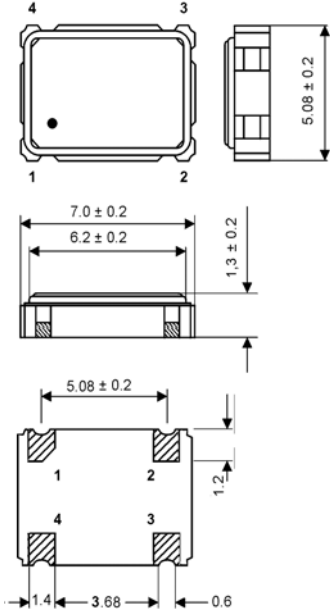
## Clock Oscillator

SMD-version

5V

model	KXO-97
frequency range	50,1 ~ 80,0 MHz
frequency stability at -20° ~ + 70°C at -40° ~ + 85°C at -40° ~ +105°C	± 50 ppm ± 100 ppm ± 120 ppm
operating temperature	standard -20° ~ + 70°C available -40° ~ + 85°C (=KXO-97T) available -40° ~ +105°C (=KXO-97E)
storage temperature	-40° ~ +85°C
symmetry	50% ± 10% at 1,4V DC level or ½ Vcc level
rise & fall time max.	5 ns
"0" level max.	+ 0,4V (TTL) + 0,5V (HCMOS)
"1" level min.	+2,4V (TTL) Vcc -0,5V (HCMOS)
input voltage Vcc	+ 5V DC ± 10%
Input current	40 mA typ., 50 mA max.
output load	50,1 ~ 75,0 MHz 5 TTL gates 30 pF 75,1 ~ 80,0 MHz 5 TTL gates 15 pF
start up time max.	10 ms
tristate function	yes
disable delay time	100 ns max.
enable delay time	4 ms max.
random jitter	7ps max.
peak to peak jitter	40ps max.
RoHS	according to RoHS 2011/65/EU
contents of reel	1000 pcs.
part no.	12.94200 ~ 12.94599

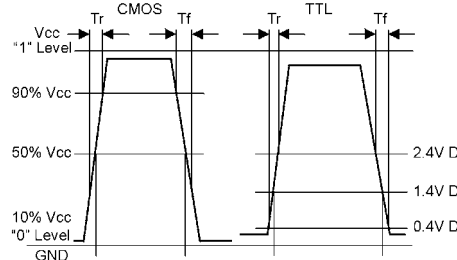
### Dimensions (mm):



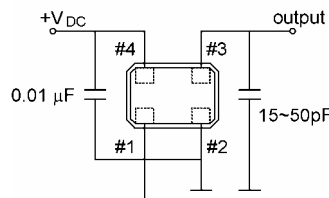
PIN	CONNECTION
1	"L" (OV) "H" or OPEN
2	GND
3	Z OUTPUT
4	Vcc

Z: high impedance

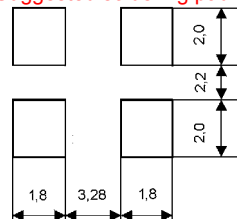
### Output waveform:



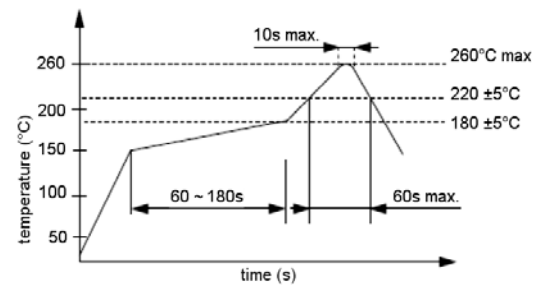
### Test circuit:



### Suggested soldering pad:



### Reflow soldering condition:



### Tape specifications:

